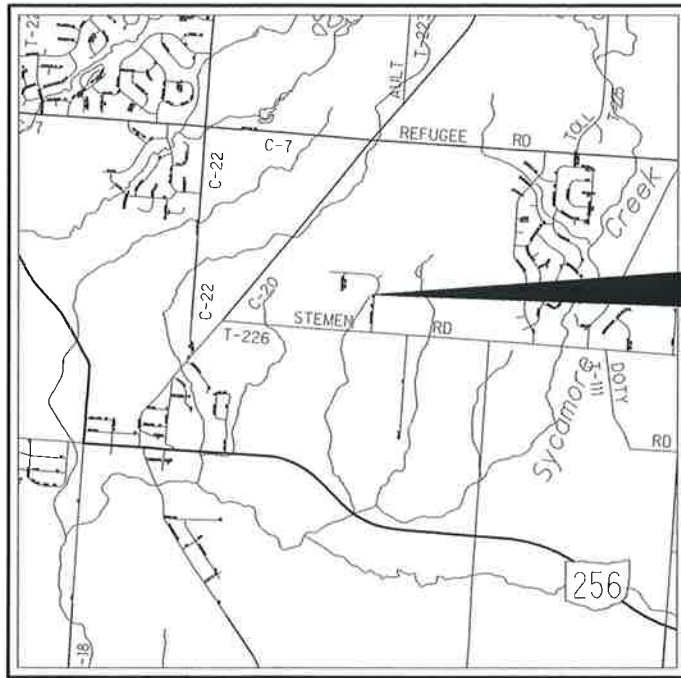


FAIRFIELD COUNTY ENGINEER

FAI-TR1592-0.230

VOILET TOWNSHIP HAMPTON DRIVE

CULVERT REPLACEMENT PROJECT



LOCATION MAP

LATITUDE: 39°53'45.7692" LONGITUDE: 82°43'49.8468"



TR1592-0.230 PROJECT

INDEX OF SHEETS:

TITLE SHEET	1
PLAN AND PROFILE	2
NOTES AND DETAILS	3

PORTION TO BE IMPROVED	—————	—————
INTERSTATE HIGHWAY	—————	—————
FEDERAL ROUTES	—————	—————
STATE ROUTES	—————	—————
COUNTY & TOWNSHIP ROADS	—————	—————
OTHER ROADS	—————	—————

DESIGN EXCEPTIONS
NONE

PROJECT DESCRIPTION

REPLACEMENT OF EXISTING 48" CULVERT WITH A 48" PLASTIC UTILIZING EXISTING CONCRETE HEADWALLS AND DITCH GRADING IMPROVEMENTS.

FEDERAL PROJECT NUMBER

NONE

RAILROAD INVOLVEMENT

NONE

2023 SPECIFICATIONS

THE STANDARD SPECIFICATIONS OF THE STATE OF OHIO, DEPARTMENT OF TRANSPORTATION, INCLUDING CHANGES SUPPLEMENTAL SPECIFICATIONS LISTED IN THE PROPOSAL SHALL GOVERN THIS IMPROVEMENT.

I HEREBY APPROVED THESE PLANS AND DECLARE THAT THIS IMPROVEMENT WILL NOT REQUIRE THE CLOSING TO TRAFFIC OF THE HIGHWAY.

FAIRFIELD COUNTY ENGINEER:

DATE: 3-2-26

WE THE TRUSTEES OF VOILET TOWNSHIP IN FORMAL SESSION, HEREBY APPROVE THESE PLANS:

TRUSTEE: *[Signature]*

DATE: 3-18-26

TRUSTEE: *[Signature]*

DATE: 3-18-26

TRUSTEE: *[Signature]*

DATE: 3/18/26



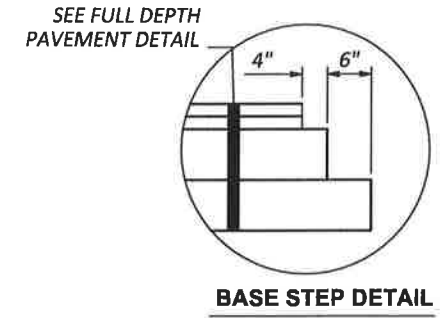
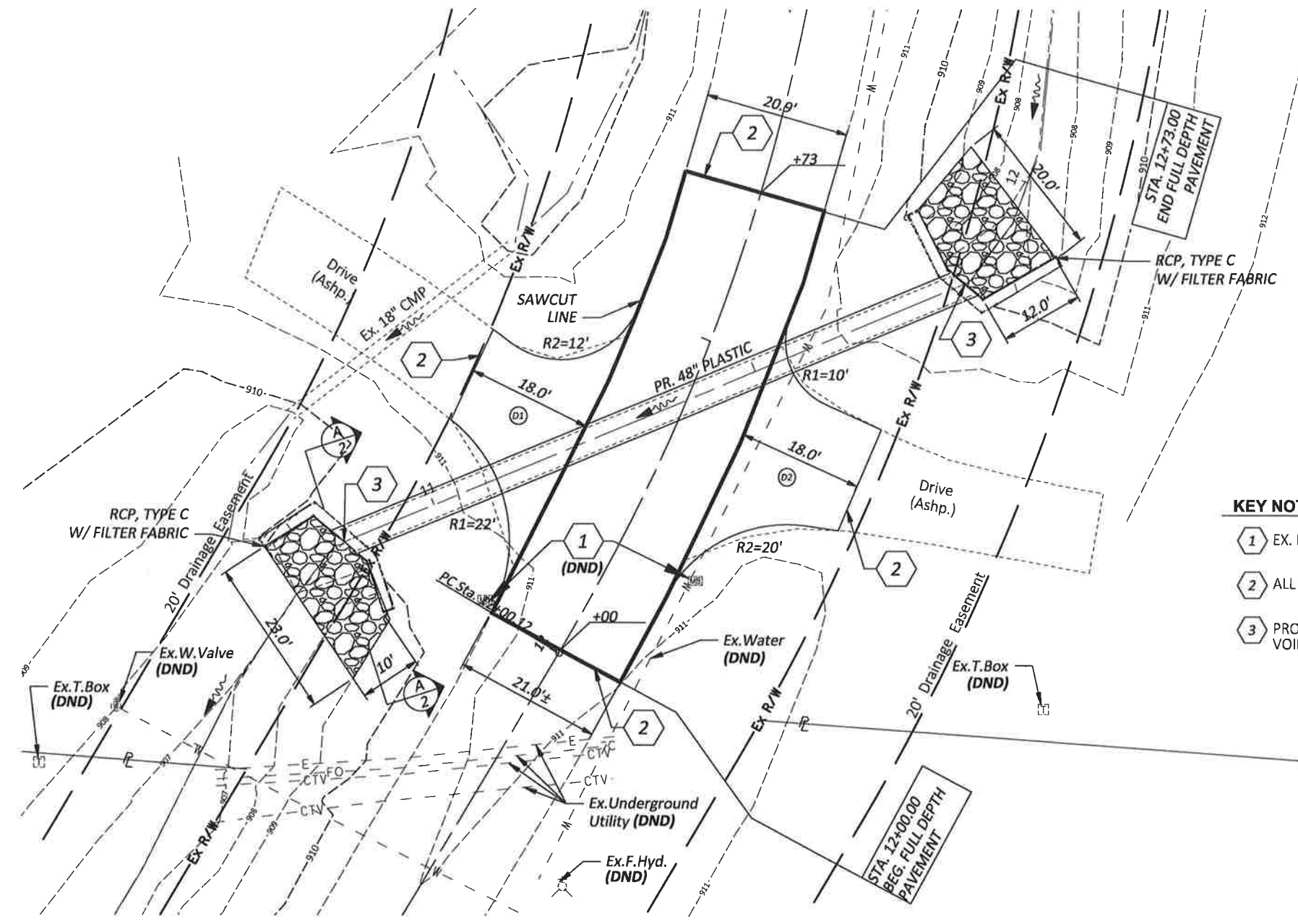
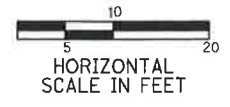
PLAN PREPARED BY:
FAIRFIELD COUNTY ENGINEER'S OFFICE
3026 W. FAIR AVENUE
LANCASTER, OHIO 43130
JEREMIAH D. UPP, P.E., P.S.
FAIRFIELD COUNTY ENGINEER

ENGINEER'S SEAL:	STANDARD CONSTRUCTION DRAWINGS				SUPPLEMENTAL SPECIFICATIONS	SPECIAL PROVISIONS
<p>SIGNED: <i>[Signature]</i> DATE: <u>3-2-26</u></p>	MT-101.60	4/21/23				

TITLE SHEET

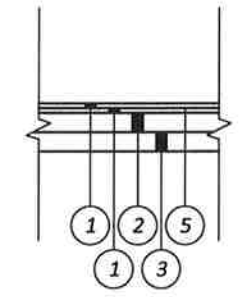
DESIGN AGENCY	
DESIGNER	JAA
REVIEWER	WGM
PROJECT ID	TR1592-0.230
SHEET	TOTAL
1	3

J:\Township\Violet\Hampton Drive\Design\Plans\Basemaps\TR1592_0.230_FB01.dwg 02-Mar-26 8:25 AM



KEY NOTES

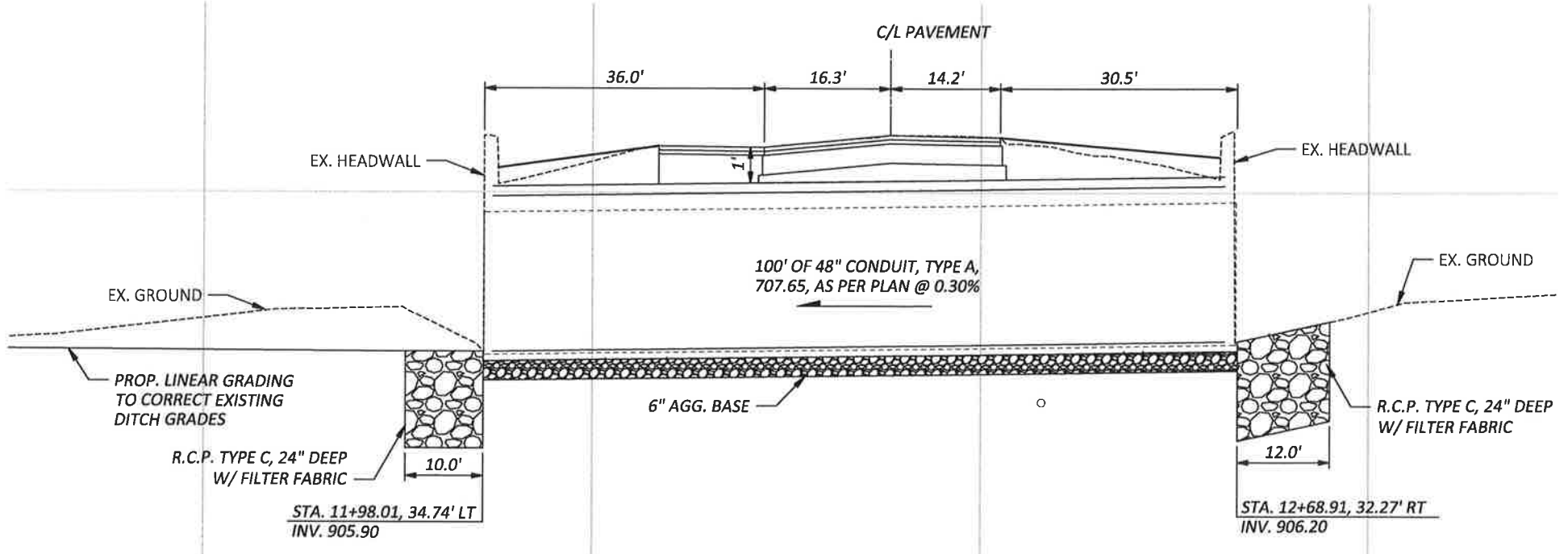
- 1 EX. MAILBOX (DND)
- 2 ALL PAVEMENT JOINTS TO BE SEALED INCLUDING DRIVEWAYS JOINTS.
- 3 PROPOSED 48" SHALL BE CUT AT SKEW WITH EXISTING HEADWALL ANY VOIDS BETWEEN PIPE WALLS SHALL BE GROUTED WITH HEADWALL.



SECTION APPLIES:
STA. 12+00 TO STA. 12+73 = 73.00 FT

LEGEND

- 1 ITEM 441 - 1 1/2" ASPHALT CONCRETE, SURFACE COURSE, TYPE 1, PG 64-22 (449)
- 2 ITEM 441 - 1 1/2" ASPHALT CONCRETE, SURFACE COURSE, TYPE 1, PG 64-22 (449)
- 3 ITEM 301 - 6" ASPHALT CONCRETE BASE
- 4 ITEM 304 - 6" AGGREGATE BASE
- 5 ITEM 407 - NON-TRACKING TACK COAT FOR INTERMEDIATE COURSE (0.05 GAL/SY)



REFERENCE MONUMENTS				
RM#	STATION	OFFSET	ELEVATION	TYPE
1	11+62.34	12.33' RT	910.84	I.P. W/RED FCEO CAP
2	13+17.97	15.67' LT	911.06	I.P. W/RED FCEO CAP

CULVERT REPLACEMENT
VIOLET TOWNSHIP TR1592-0.230 (HAMPTON DRIVE)
PLAN AND PROFILE



DESIGN AGENCY
FAIRFIELD COUNTY ENGINEER

DESIGNER
JAA

REVIEWER
WGM

PROJECT ID
TR1592-0.230

SHEET 2 TOTAL 3

J:\Township\Violet\Hampton Drive\Design\Plans\Basemaps\TR1592_0.230_FB01.dwg 02-Mar-26 2:22 PM

